

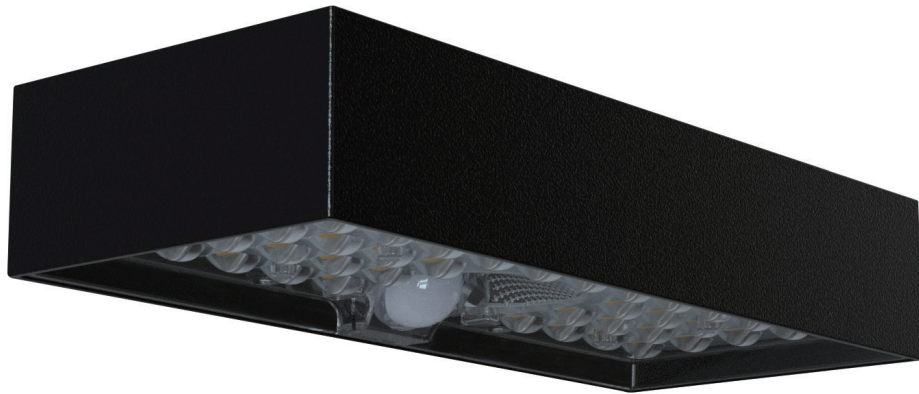


Meaningful Innovation.

WEEE Number: 80133970

INSTRUCTION MANUAL

SOLAR LED WALL LIGHT



02 YEAR WARRANTY* **IP65** RATING

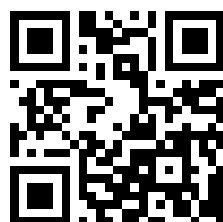
INTRODUCTION

Thank you for selecting and buying V-TAC product. V-TAC will serve you the best. Please read these instructions carefully before starting the installation and keep this manual handy for future reference. If you have any other query, please contact our dealer or local vendor from whom you have purchased the product. They are trained and ready to serve you at the best. The warranty is valid for 2 years from the date of purchase. The warranty does not apply to damage caused by incorrect installation or abnormal wear and tear. The company gives no warranty against damage to any surface due to incorrect removal and installation of the product. The products are suitable for 10-12 Hours Daily operation. Usage of product for 24 Hours a day would void the warranty. This product is warranted for manufacturing defects only.



This marking indicates that this product should not be disposed of with other household wastes.

RoHS



MULTI-LANGUAGE MANUAL QR CODE

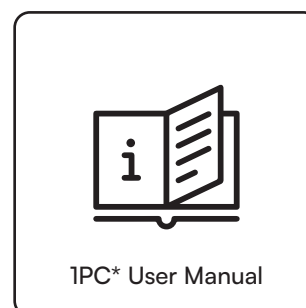
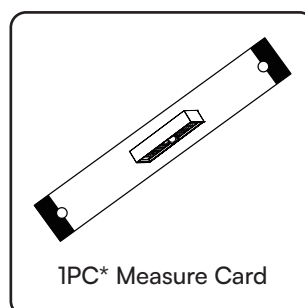
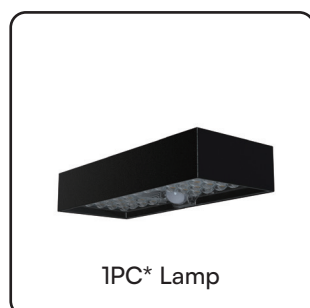
Please scan the QR code to access the manual in multiple languages.

In case of any query/issue with the product, please reach out to us at: support@v-tac.eu
For More products range, inquiry please contact our distributor or nearest dealers.
V-TAC EUROPE LTD. Bulgaria, Plovdiv 4000, bul.L.Karavelow 9B

TECHNICAL DATA

MODEL	VT-406
SKU	10307, 10308
LUMENS	900 LM
OUTPUT POWER	6W
EQUIVALENT WATT	60 W
LEDs	SMD 2835x35 pcs
SOLAR PANEL	2.8W, DC 5.5V, Mono with tempered glass
BATTERY PACK	18650/3000mAh/3.7V/11.1Wh, Lithium, Replaceable
BEAM ANGLE	140° *70° polarized design
PIR Sensor Range	Detection Angle: 120°; Detection Distance: <6M
CHARGING TIME	8-10 Hours, Strong sunshine to fully charge
LIGHTING TIME	MODE A: 4 Nights+ MODE B: 2 Nights+
IP CLASS	IP65 Waterproof & Dustproof
HOUSING MATERIAL	ABS+PC housing, Anti-UV, VO material for fire-proof
HOUSING COLOR	Bric-red/Black/White
LAMP DIMENSION	230*97*42.7mm
INSTALLATION HEIGHT	Less than 4mtrs
WORKING TEMPERATURE	-20°C - 60°C
STORAGE TEMPERATURE	0°C - 45°C
WARRANTY	2 Years
PACKING	Color Box (1 PC *Lamp, 2PCS * 1PC* Measure Card, 1PC *User Manual)

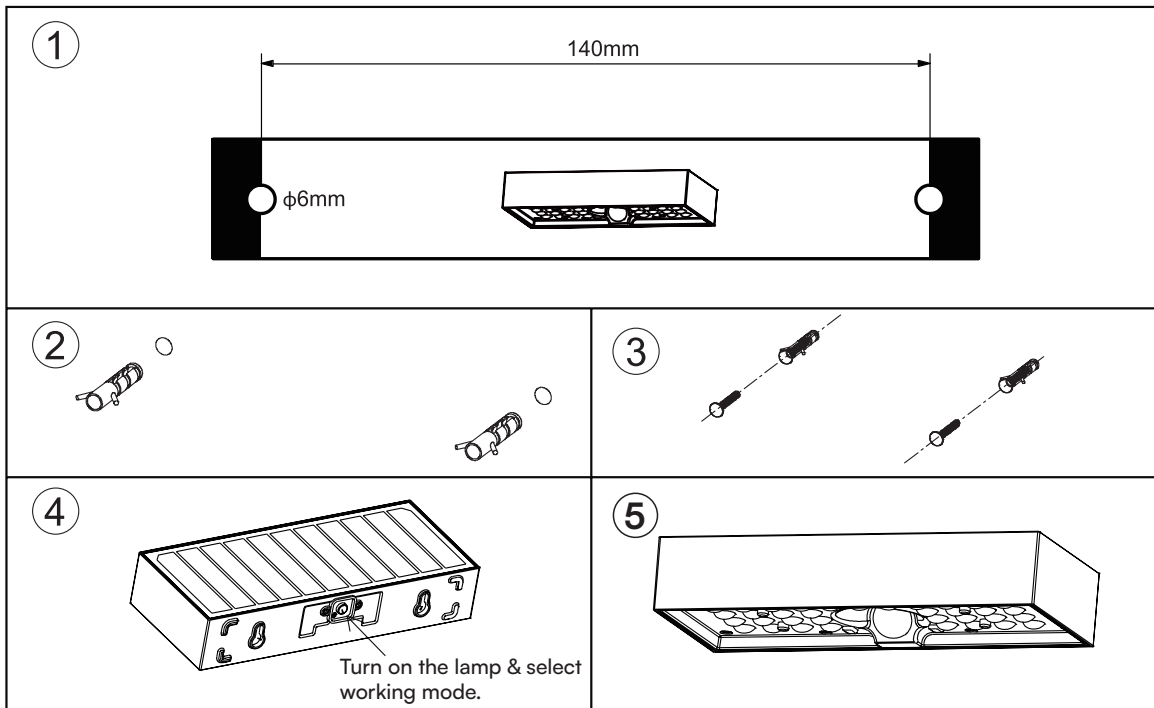
PACKAGE CONTENT



WARNING

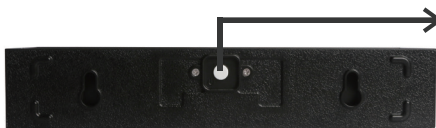
1. This is a solar powered lamp, please install it in a location where can get efficient sunlight.
 2. Please note the lighting time depends on sunshine duration & work mode.
 3. Built-in intelligent IC is with over-charge and over-discharge protection, safe and durable.
 4. When the lamp is turned off, it still can get solar charging at day time.
 5. Non-professionals please do not disassemble the lamp.
 6. Please do not dispose the battery with household garbage to avoid explosion.
-

INSTALLATION



1. Please use the measure cardl to mark holes position and drill 2 holes (46mm, depth 50mm) with a spacing of 140mm.
2. Fix the expansion plugs in the holes.
3. Fix the screws into the expansion plugs, allow the screws to protrude slightly around 4mm.
4. Turn on the lamp and set desired working mode.
5. Hang the lamp on the screws to secure it to the wall.

TWO OPTIONAL WORKING MODES



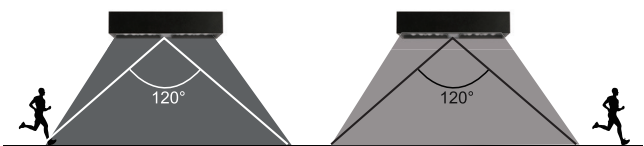
Please press the button on the back of the lamp to turn on the lamp and select working mode.

- * Press the button 1st time, the lamp turns on and enter Mode A.
- * Press the button 2nd time, lamp flickers once and turns to Mode B.
- * Press the button 3rd time, lamp turns off.

MODE A: SENSOR MODE

When battery power is more than 30%:

Lamp automatically lights up at night and turns to full brightness when motion is detected in the range $\leq 6\text{mtr}$ s, then dim to 5% brightness after 20 seconds of no motion.



When battery power is less than 30%:

Lamp automatically lights up at night and turns to full brightness when motion is detected in the range $\leq 6\text{mtr}$ s and then turn off after 20 seconds of no motion.



MODE B: KEEP LIGHTING MODE

Lamp automatically lights up at night and keeps 50% brightness, after 5 hours or when battery power is less than 30%, lamp turns to energy saving mode: Lamp automatically turns to full brightness when motion is detected in the range $\leq 6\text{mtr}$ s, then turns off after 20 seconds of no motion.

